

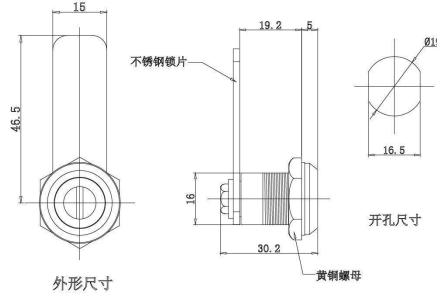
转舌锁系列  
CAM LOCK SERIES

---

Gaavin 嘉音

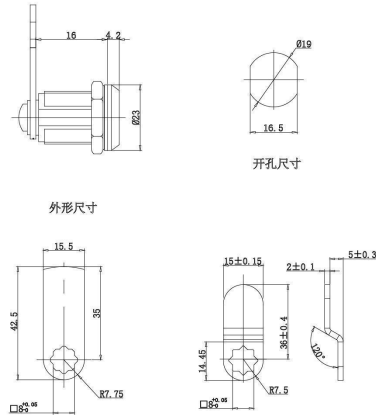
## SW-101

材料及表面处理: 黑色锌合金锁壳; 光亮铬锌合金锁芯; 黄铜螺母; 不锈钢锁片。  
Material & Finishing: Black painting coated zinc die-casting lock housing, bright chrome plated zinc die-casting cylinder. Brass big nut, stainless steel cam.



## SW103

材料及表面处理  
锁壳和锁芯: 锌合金压铸, 表面镀光亮铬  
防尘防水等级: IP41  
用途: 小圆形门锁, 止口高度有16、20、25三种, 钥匙转动90°即可实现开门, 左右开门通用, 适用于配电柜、通信柜、仪表箱、控制箱等各类机箱机柜。  
Material & Surface Treatment  
Lock housing and cylinder: Zinc die-casting, bright chrome plating Protection Grade: Ip41  
Applicability: Round cam lock, the height could be 16mm, 20mm and 25mm. The key rotate 90 degree to unlock.  
Suitable for both left hand door and right hand door. Apply to Metal or nonmetal cabinet, Public Telephones, Cash Register, Intelligent Terminals, Financial Terminals, Game Consoles, Strongbox, Advertising Box and etc.



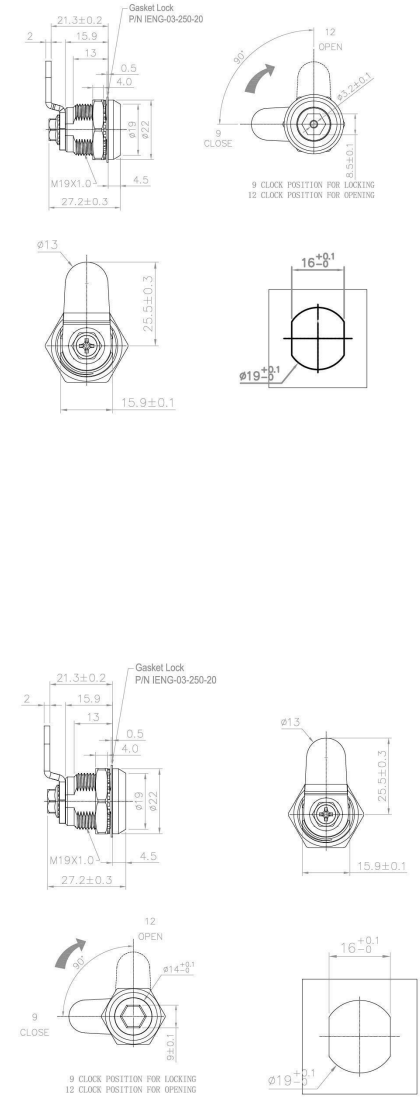
## SW103-16-16

材质: 锌合金/黄铜/不锈钢  
表面处理: 亮铬、亮镍、枪黑、珍珠铬等  
适用范围: 金属/非金属机箱、柜类、自动售货机、ATM机、售水机、售卡机等。  
附件需求: 螺母、锁片  
Material: Zinc/Brass/Stainless Steel  
Surface treatment: Bright chrome plating, Bright nickle plating, Rifle color coating, pearl chrome plating and etc.  
Applicability: Metal or nonmetal cabinet, Public Telephones .Cash Register, Intelligent Terminals, Financial Terminals Came Consoles. Strongbox, Advertising Box and etc.  
Accessories: Cam, nut.



## SW103-16-H

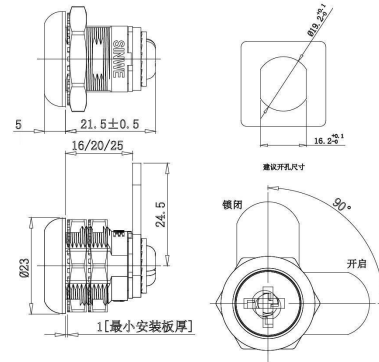
材质: 锌合金/黄铜/不锈钢  
表面处理: 亮铬、亮镍、枪黑、珍珠铬等  
适用范围: 金属/非金属机箱、柜类、自动售货机、ATM机、售水机、售卡机等。  
附件需求: 螺母、锁片  
Material: Zinc/Brass/Stainless Steel  
Surface treatment: Bright chrome plating, Bright nickle plating, Rifle color coating, pearl chrome plating and etc.  
Applicability: Metal or nonmetal cabinet, Public Telephones Cash Register, Intelligent Terminals, Financial Terminals Came Consoles. Strongbox, Advertising Box and etc.  
Accessories: Cam, nut.



转舌锁 Swivel Lock	大锁型 Swivel Lock	连杆锁 Connecting Rod	拉手锁 Handle Lock	电锁锁 Computer Lock	智能锁 Smart Lock	平面锁 Flat Lock	自动售货机锁 Vending Machine Lock	房态锁 Room Lock	挂锁锁 Hanging Lock	转锁 Turn Lock	拉手 Handle	配件 Accessories
--------------------	--------------------	-----------------------	--------------------	----------------------	-------------------	------------------	--------------------------------	------------------	---------------------	-----------------	--------------	-------------------

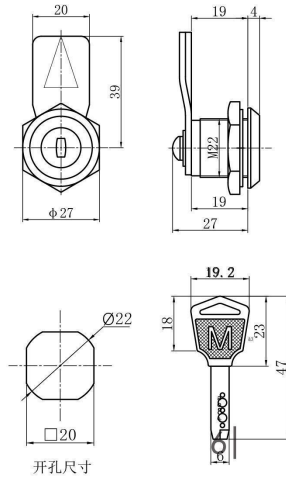
## SW-105

材料及表面处理: 亮铬锌合金锁壳、锁芯;  
镀锌碳钢锁片备注: 止口高度有16、20、25三种  
Material & finishing: bright chrome plated zinc die-casting lock housing and cylinder, M.S. zinc plated cam.  
Remarks: Height from cam to panel could be 16mm, 20mm or 25mm.



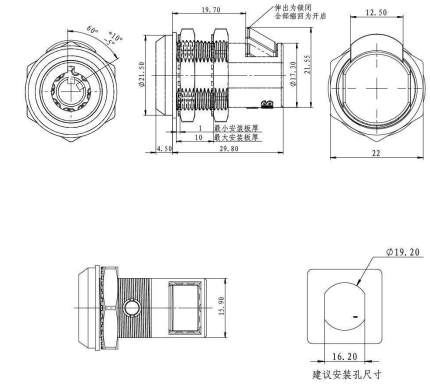
## SW-407

材料及表面处理: 黑色锌合金锁壳; 亮铬锌合金锁芯; 镀锌锌合金螺母  
备注: 防尘防水等级IP40  
Material & Finishing: Black painting coated zinc die-casting lock housing; bright chrome plated zinc die-casting cylinder; zinc plated nut.  
Protection grade: IP40



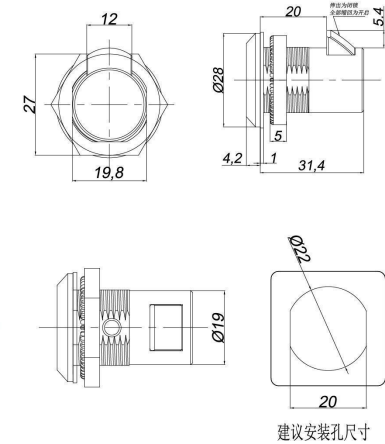
## SW-417

材料及表面处理: 亮铬锌合金锁壳、锁芯; 镀锌锌合金锁舌  
Material & finishing: bright chrome plated zinc die-casting lock housing and cylinder, zinc plated zinc die-casting cam.



## SW418

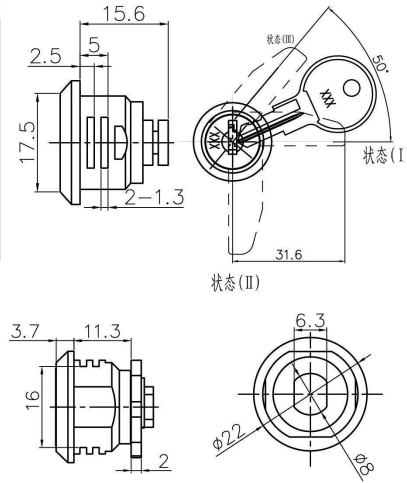
材质: 锌合金  
表面处理: 亮铬、亮镍、枪黑、珍珠铬等  
适用范围: 金属/非金属机箱、柜类、自动售货机、ATM机、售水机、售卡机等。  
附件需求: 螺母  
Material: Zinc  
Surface treatment: Bright chrome plating, Bright nickle plating, Rifle color coating, pearl chrome plating and etc.  
Applicability: Metal or nonmetal cabinet, Public Telephones, Cash Register, Intelligent Terminals, Financial Terminals, Game Consoles, Strongbox, Advertising Box and etc.  
Accessories: Nut.



转舌锁	大锁型	连杆锁	扣手锁	电锁型	智能锁	亚面锁	自动推杆锁	房本锁	挂杆锁	转锁	枪锁	厨锁
Cam Lock	Large Lock	Connecting Rod	Handle Lock	Computer Lock	Smart Lock	Face Lock	Pushing Rod Lock	Room Lock	Hanging Rod Lock	Turn Lock	Rifle Lock	Kitchen Lock

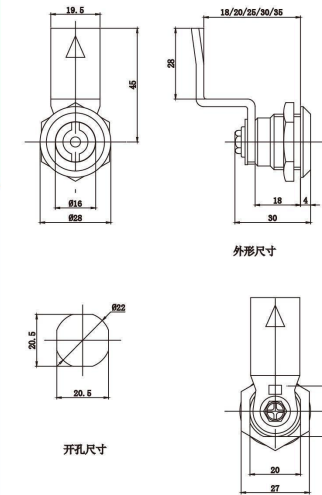
## SW-505

材质: 锌合金表面处理: 亮铬、亮镍、枪黑、珍珠铬等适用范围: 钱箱、金属、非金属机箱机柜等  
锁匙变化: 200个  
功能说明: 可依客户要求订制子母锁系统  
Material: Zinc-alloy  
Surface Treatment: Bright chrome plating, Bright nickel plating, Rifle color coating, pearl chrome plating and etc.  
Applicability: Cashbox, Metal or nonmetal cabinet and etc. Key combination: 200 key combination.  
Function: Customized Master Key System is available.



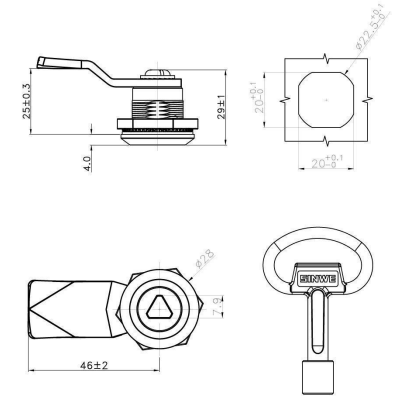
## SW-705

材料及表面处理: 黑色锌合金锁壳、锁芯; 镀锌锌合金钥匙; 镀锌碳钢锁片  
备注: 防尘防水等级IP65  
Material & Finishing: Black painting coated zinc die-casting lock housing and cylinder; nickel plated zinc die-casting key; M.S. zinc plated cam.  
Protection grade: IP65.



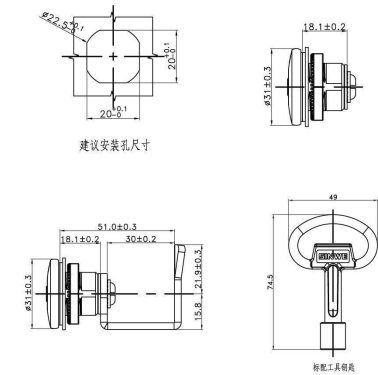
## SW-705-3

材料及表面处理: 黑色锌合金锁壳、锁芯; 镀锌碳钢锁片  
Material & Finishing: Black painting coated zinc die casting housing and cylinder, M.S. zinc plated cam.



## SW-705-3C

材料及表面处理: 喷砂镀铬锌合金锁芯; 镀锌锌合金锁壳、螺母  
Material & Finishing: sand blasting chrome plated zinc die-casting cylinder, zinc plated zinc die-casting lock housing and nut.

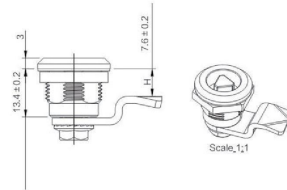
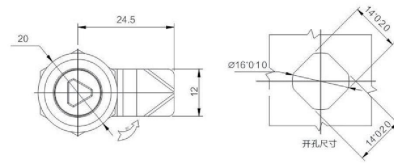


转舌锁 Cam Lock Series	大锁型 Standard Lock	连杆锁 Connecting Rod	扣手锁 Handle Lock	电锁型 Computer Lock	智能锁 Smart Lock	平面锁 Flat Lock	自动售货机锁 Vending machine lock	房态锁 Room Lock	挂扣锁 Hanging Lock	钩锁 Hook Lock	拉锁 Latching Lock	配件 Accessories
------------------------	----------------------	-----------------------	--------------------	----------------------	-------------------	------------------	--------------------------------	------------------	---------------------	-----------------	---------------------	-------------------



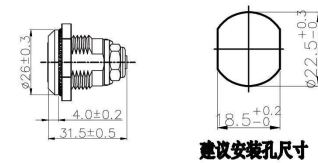
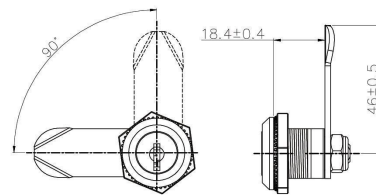
## SW-845

材料及表面处理：黑色锌合金锁壳、锁芯；镀锌碳钢锁片；滚镍三角钥匙  
Materials and surface treatment: black zinc alloy lock, lock core. Zinc plated carbon steel lock plate; barrel nickel plated triangular keytriangle key.



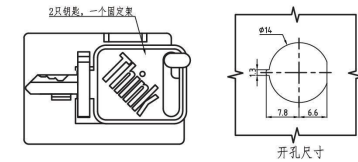
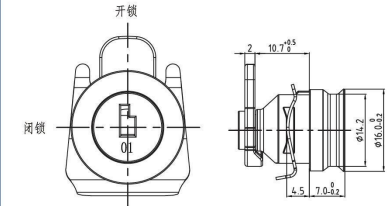
## SW2100

材料及表面处理：锌合金锁壳锁芯，表面镀环保亮铬，碳钢锁片，表面镀环保彩锌。  
Material & Finishing: Zinc-alloy die-casting lock body and cylinder, environmental bright chrome plating. Environmental color-zinc plated carbon steel cam.



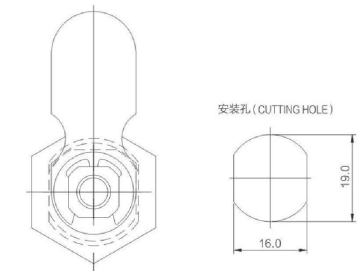
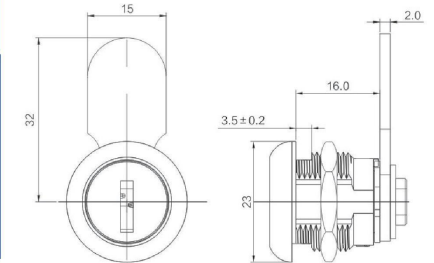
## SW2108

材质：锌合金、铜  
表面处理：亮铬、亮镍、枪黑、珍珠铬等  
适用范围：智能终端、金融设备、机电设备、柜类、公用电话机、游戏机、地铁闸机、自动售货机、寄存柜、保险箱、广告箱、自动洗衣机、加油设备、机车、信箱和工具箱等。  
锁匙变化:100个以上  
Material: Zinc-alloy, Brass.  
Surface Treatment: Bright chrome plating, Bright nickel plating, Rifle color coating, Pearl chrome plating and etc.  
Applicability: Intelligent terminal, Financial equipment, Electromechanical equipment, Metal or nonmetal cabinet, Pay phone, Game machine, Subway turnstiles, Vending Machine, Locker, Strongbox, Advertising showcase, Automatic washing machine Fuel-servicing equipment, Locomotive, Mailbox, Toolbox and etc.  
Key combination: More than 100 key combination.



## SW2109

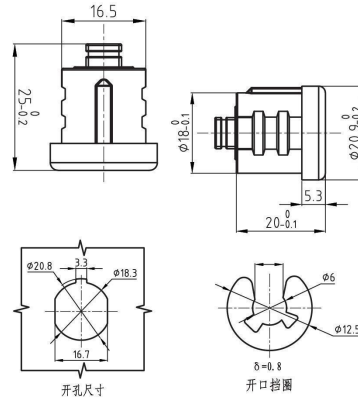
材质：锌合金  
表面处理：亮铬、亮镍、枪黑、珍珠铬等  
适用范围：钱箱、金属/非金属材料柜等。  
锁匙变化：200个  
Material: Zinc-alloy  
Surface Treatment: Bright chrome plating, Bright nickel plating, Rifle color coating, pearl chrome plating and etc.  
Applicability: Cashbox, Metal or nonmetal cabinet and etc.  
Key combination: 200 key combination.



转舌锁 Cam Lock	不锈钢 Stainless Steel	连杆锁 Connecting Rod	拉手锁 Handle Lock	电锁锁 Computer Lock	智能锁 Smart Lock	平面锁 Flat Lock	自动售货机锁 Vending Machine Lock	房芯锁 Room Core	挂扣锁 Hanging Lock	转锁 Turn Lock	拉手 Handle	配件 Accessories
-----------------	------------------------	-----------------------	--------------------	----------------------	-------------------	------------------	--------------------------------	------------------	---------------------	-----------------	--------------	-------------------

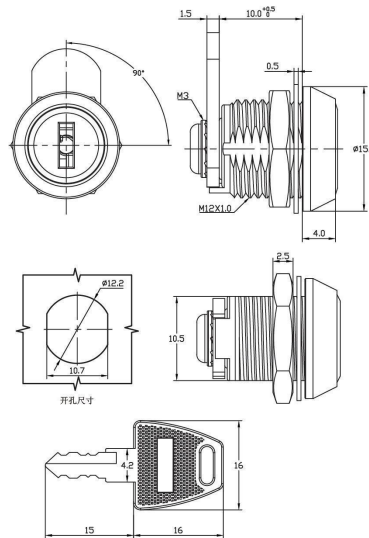
## SW2110

材质: 锌合金、铜  
表面处理: 亮铬、亮镍、枪黑、珍珠铬等  
适用范围: 智能终端、金融设备、机电设备、柜类、公用电话机、游戏机、地铁闸机、自动售货机、寄存柜、保险箱、广告箱、自动洗衣机、加油设备机车、信箱和工具箱等。  
锁匙变化: 2000个以上  
Material: Zinc-alloy, Brass  
Surface Treatment: Bright chrome plating, Bright nickel plating, Rifle color coating, Pearl chrome plating and etc.  
Applicability: Intelligent terminal, Financial equipment, Electromechanical equipment, Metal or nonmetal cabinet, Pay phone, Game machine, Subway turnstiles, Vending Machine, Locker, Strongbox, Advertising showcase, Automatic washing machine, Fuel-servicing equipment, Locomotive, Mailbox, Toolbox and etc.  
Key combination: More than 2,000 key combination.



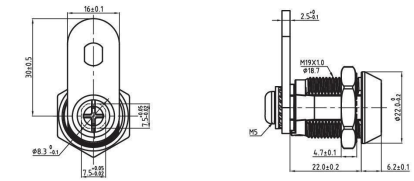
## SW2112

材质: 锌合金、铜。  
表面处理: 亮铬、亮镍、枪黑、珍珠铬等。  
适用范围: 智能终端、金融设备、机电设备、柜类、公用电话机、游戏机、地铁闸机、自动售货机、寄存柜、保险箱、广告箱、自动洗衣机、加油设备、机车、信箱和工具箱等。  
锁匙变化: 50个以上。  
Material: Zinc-alloy, Brass.  
Surface Treatment: Bright chrome plating, Bright nickel plating, Rifle color coating, Pearl chrome plating and etc.  
Applicability: Intelligent terminal, Financial equipment, Electromechanical equipment, Metal or nonmetal cabinet, Pay phone, Game machine, Subway turnstiles, Vending Machine, Locker, Strongbox, Advertising showcase, Automatic washing machine, Fuel-servicing equipment, Locomotive, Mailbox, Toolbox and etc.  
Key combination: More than 50 key combination.



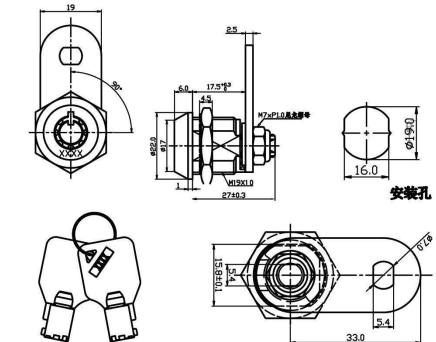
## SW2115

材质: 锌合金  
表面处理: 亮铬、亮镍、枪黑、珍珠铬等  
适用范围: 钱箱锁、金属/非金属机箱柜等。  
Material: Zinc-alloy  
Surface treatment: Bright chrome plating, Bright nickel plating, Rifle color coating, pearl chrome plating and etc.  
Applicability: Metal or nonmetal cabinet, Public Telephones, Cash Register, Intelligent Terminals, Financial Terminals, Game Consoles, Strongbox, Advertising Box and etc.



## SW2200

材质: 锌合金/铜材/不锈钢  
表面处理: 亮铬、亮镍、枪黑、珍珠铬等  
适用范围: 金属/非金属机箱、柜类, 公用话机类, 收银机、智能终端设备、金融终端设备、游戏机、保险箱、广告箱等  
锁匙变化: 10000个以上  
附件需求: 舌片、螺母  
功能说明: 可依客户需求订制子母锁系统  
Material: Zinc-alloy, Brass, Stainless steel.  
Surface treatment: Bright chrome plating, Bright nickel plating, Rifle color coating, pearl chrome plating and etc.  
Applicability: Metal or nonmetal cabinet, Public Telephones, Cash Register, Intelligent Terminals, Financial Terminals, Game Consoles, Strongbox, Advertising Box and etc.  
Key combination: More than 10,000 key combination.  
Accessories: Cam, nut.  
Function: Customized Master Key System is available.



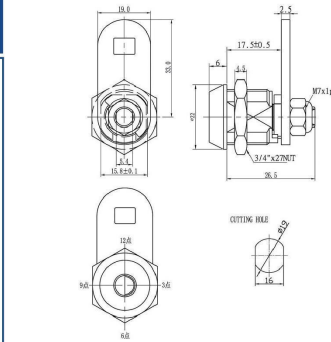
型号 Item	2210	2200	2202	2203	2204	2205
作用长度 Height from cam to panel (Z)	12.5mm	17.5mm	22.5mm	25.0mm	28.0mm	30.0mm
锁舌作用长度 Length of cam(Z)	33mm	33mm	33mm	33mm	33mm	33mm
锁舌Z Length of lock(Z)	21.5mm	26.5mm	31.5mm	34.0mm	37.0mm	39.0mm
锁匙轴槽位 Key plug position	1-4	1-4	1-4	1-4	1-4	1-4
锁舌转动角度 Rotating angle	90°/180°	90°/180°	90°/180°	90°/180°	90°/180°	90°/180°

转舌锁 Cam Lock	不锈钢 Stainless Steel	海杆锁 Cam Lock	挂锁 Padlock	电插锁 Electric Lock	智能锁 Smart Lock	平面锁 Flat Lock	自动售货机锁 Vending Machine Lock	房车锁 RV Lock	挂锁 Padlock	挂锁 Padlock	挂锁 Padlock	高性 High Performance
-----------------	------------------------	-----------------	---------------	----------------------	-------------------	------------------	--------------------------------	----------------	---------------	---------------	---------------	------------------------



## SW2300

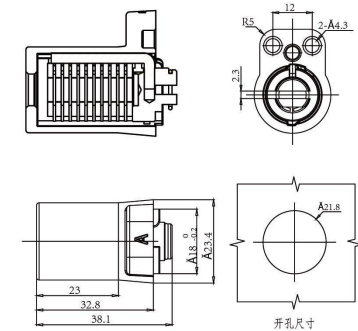
材质: 锌合金/铜材/不锈钢  
表面处理: 亮铬、亮镍、枪黑、珍珠铬等  
适用范围: 金属/非金属机箱、柜类、公用话机类, 收银机、智能终端设备、金融终端设备、游戏机、保险箱、广告箱等锁匙变化: 10000个以上  
附件需求: 舌片、螺母  
功能说明: 可依客户需求订制子母锁系统  
Material: Zinc-alloy, Brass, Stainless steel  
Surface Treatment: Bright chrome plating, Bright nickel plating, Rifle color coating, pearl chrome plating and etc.  
Applicability: Metal or nonmetal cabinet, Public Telephones, Cash Register, Intelligent Terminals, Financial Terminals, Game Consoles, Strongbox, Advertising Box and etc.  
Key combination: More than 10, 000 key combination.  
Accessories: Cam, nut.  
Function: Customized Master Key system is available.



型号 Item	2310	2300	2301	2302	2303	.....
作厚度 Height Height from cam to panel	12.5mm	17.5mm	22.5mm	27.5mm	32.5mm	.....
锁舌作厚度 Length of cam Length of cam (L)	33mm	33mm	33mm	33mm	33mm	33mm
锁舌Z Length of lock Length of lock (Z)	21.5mm	26.5mm	31.5mm	36.5mm	41.5mm	.....
锁匙插嘴位置 Key plug position	1	1	1	1	1	
锁轴旋转角度 Rotating angle	90°/180°	90°/180°	90°/180°	90°/180°	90°/180°	90°/180°

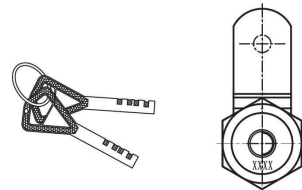
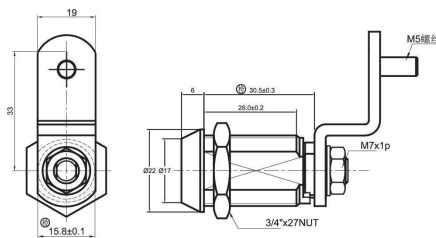
## SW2302

材质: 锌合金、铜、不锈钢  
表面处理: 亮铬、亮镍、枪黑、珍珠铬等  
适用范围: 防盗门、智能终端、金融设备、机电设备、柜类、公用电话机、游戏机、地铁闸机、自动售货机、寄存柜、保险箱、广告箱、自动洗衣机、加油设备、机车、信箱和工具箱等。  
锁匙变化: 5000000个以上  
Material: Zinc-alloy, Brass, Stainless steel  
Surface Treatment: Bright chrome plating, Bright nickel plating, Rifle color coating, Pearl chrome plating and etc.  
Applicability: Security door, Intelligent terminal, Financial equipment, Electromechanical equipment, Metal or nonmetal cabinet, Pay phone, Game machine, Subway turnstiles, Vending Machine, Locker, Strongbox, Advertising showcase, Automatic washing machine, Fuel-servicing equipment, Locomotive, Mailbox, Toolbox and etc.  
Key combination: More than 5, 000, 000 key combination.  
Function: Customized Master Key System is available.



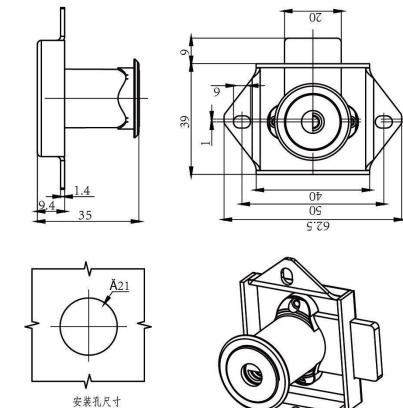
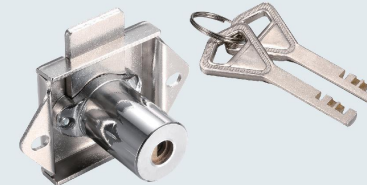
## SW2300-4

材质: 黄铜/不锈钢  
表面处理: 亮铬、亮镍、枪黑、珍珠铬等  
适用范围: 金属/非金属机箱、柜类、自动售货机、ATM机、售水机、售卡机等。  
钥匙变化: 5000000个以上  
附件需求: 螺母、锁片  
功能说明: 可依客户要求订制子母锁系统。  
Material: Brass/Stainless Steel  
Surface treatment: Bright chrome plating, Bright nickel plating, Rifle color coating, pearl chrome plating and etc.  
Applicability: Metal or nonmetal cabinet, Public Telephones, Cash Register, Intelligent Terminals, Financial Terminals, Game Consoles, Strongbox, Advertising Box and etc.  
Key combination: More than 10, 000 key combination.  
Accessories: Cam, nut.  
Function: Customized Master Key system is available.



## SW2303

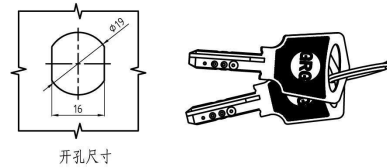
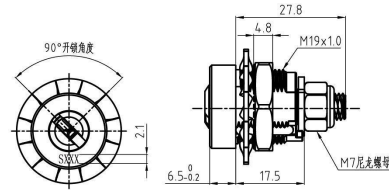
材质: 锌合金、铜、不锈钢  
表面处理: 亮铬、亮镍、枪黑、珍珠铬等  
适用范围: 抽屉、门、智能终端、金融设备、机电设备、柜类、公用电话机、游戏机、地铁闸机、自动售货机、寄存柜、保险箱、广告箱、自动洗衣机、加油设备、机车、信箱和工具箱等。  
锁匙变化: 5000000个以上  
Material: Zinc-alloy, Brass, Stainless steel  
Surface Treatment: Bright chrome plating, Bright nickel plating, Rifle color coating, Pearl chrome plating and etc.  
Applicability: Drawer, Door, Intelligent terminal, Financial equipment, Electromechanical equipment, Metal or nonmetal cabinet, Pay phone, Game machine, Subway turnstiles, Vending Machine, Locker, Strongbox, Advertising showcase, Automatic washing machine, Fuel-servicing equipment, Locomotive, Mailbox, Toolbox and etc.  
Key combination: More than 5, 000, 000 key combination.  
Function: Customized Master Key System is available.





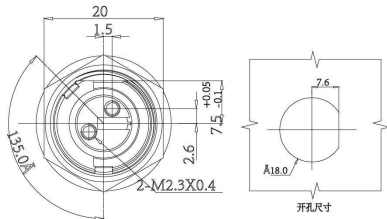
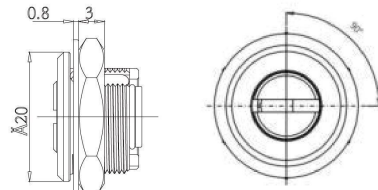
## SW2405

材质: 锌合金、铜、不锈钢  
表面处理: 亮铬、亮镍、枪黑、珍珠铬等  
适用范围: 智能终端、金融设备、机电设备、柜类、公用电话机、游戏机、地铁闸机、自动售货机、寄存柜、保险箱、广告箱、自动洗衣机、加油设备、机车、信箱和工具箱等。  
锁匙变化: 2000个以上  
Material: Zinc-alloy, Brass, Stainless steel  
Surface Treatment: Bright chrome plating, Bright nickel plating, Rifle color coating, Pearl chrome plating and etc.  
Applicability: Intelligent terminal, Financial equipment, Electromechanical equipment, Metal or nonmetal cabinet, Pay phone Game machine, Subway turnstiles, Vending Machine, Locker, Strongbox, Advertising showcase, Automatic washing machine, Fuel-servicing equipment, Locomotive, Mailbox, Toolbox and etc.  
Key combination: More than 2,000 key combination.



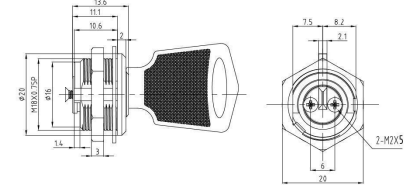
## SW2406

材质: 锌合金、铜、不锈钢  
表面处理: 亮铬、亮镍、枪黑、珍珠铬等  
适用范围: 智能终端、金融设备、机电设备、柜类、公用电话机、游戏机、地铁闸机、自动售货机、寄存柜、保险箱、广告箱、自动洗衣机、加油设备、机车、信箱和工具箱等。  
锁匙变化: 100个以上  
Material: Zinc-alloy, Brass  
Surface Treatment: Bright chrome plating, Bright nickel plating, Rifle color coating, Pearl chrome plating and etc.  
Applicability: Intelligent terminal, Financial equipment, Electromechanical equipment, Metal or nonmetal cabinet, Pay phone, Game machine, Subway turnstiles, Vending Machine, Locker, Strongbox, Advertising showcase, Automatic washing machine, Fuel-servicing equipment, Locomotive, Mailbox, Toolbox and etc.  
Key combination: More than 100 key combination.



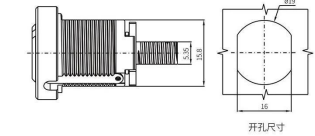
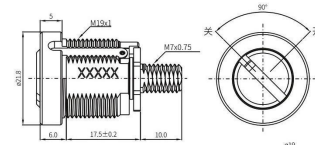
## SW2406-4

材质: 锌合金/黄铜/不锈钢  
表面处理: 亮铬、亮镍、枪黑、珍珠铬等  
适用范围: 金属/非金属机箱、柜类、自动售货机、ATM机、售水机、售卡机等。  
附件需求: 螺母  
Material: Zinc/Brass/Stainless Steel  
Surface treatment: Bright chrome plating, Bright nickel plating, Rifle color coating, pearl chrome plating and etc.  
Applicability: Metal or nonmetal cabinet, Public telephones, Cash Register, Intelligent Terminals, Financial Terminals, Game Consoles, Strongbox, Advertising Box and etc.  
Accessories: Nut.



## SW2407

材质: 铜、不锈钢  
表面处理: 亮铬、亮镍、枪黑、珍珠铬等  
适用范围: 智能终端、金融设备、机电设备、柜类、公用电话机、游戏机、地铁闸机、自动售货机、寄存柜、保险箱、广告箱、自动洗衣机、加油设备、机车、信箱和工具箱等。  
锁匙变化: 260000个以上  
Material: Zinc-alloy, Brass, Stainless steel  
Surface Treatment: Bright chrome plating, Bright nickel plating, Rifle color coating, Pearl chrome plating and etc.  
Applicability: Intelligent terminal, Financial equipment, Electromechanical equipment, Metal or nonmetal cabinet, Pay phone, Game machine, Subway turnstiles, Vending Machine, Locker, Strongbox, Advertising showcase, Automatic washing machine, Fuel-servicing equipment, Locomotive, Mailbox, Toolbox and etc.  
Key combination: More than 260,000 key combination.



转舌锁
不锈钢
连杆锁
执手锁
电筒锁
普通锁
平圆锁
自动售货机锁
房卡锁
插芯锁
铰链
拉手
配件



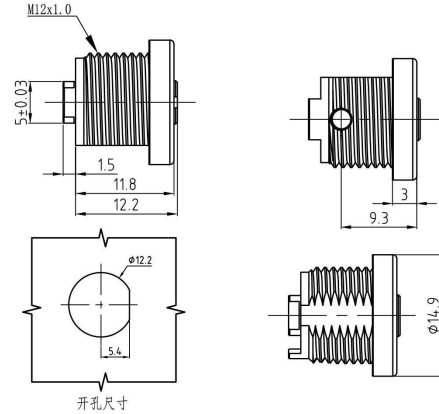






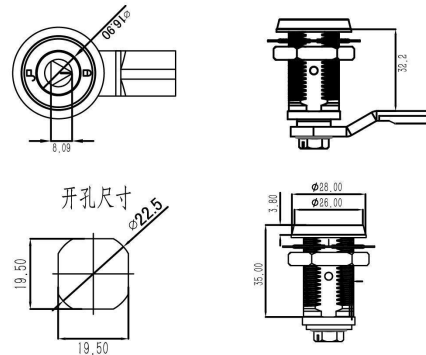
## SW2706

材质: 锌合金、铜、不锈钢  
表面处理: 亮铬、亮镍、枪黑、珍珠铬等  
适用范围: 智能终端、金融设备、机电设备、柜类、公用电话机、游戏机、地铁闸机、自动售货机、寄存柜、保险箱、广告箱、自动洗衣机、加油设备、机车、信箱和工具箱等。  
钥匙变化: 300个以上  
Material: Zinc-alloy, Brass, Stainless steel  
Surface Treatment: Bright chrome plating, Bright nickel plating, Rifle color coating, Pearl chrome plating and etc.  
Applicability: Intelligent terminal, Financial equipment, Electromechanical equipment, Metal or nonmetal cabinet, Pay phone, Game machine, Subway turnstiles, Vending Machine, Locker, Strongbox, Advertising showcase, Automatic washing machine, Fuel-servicing equipment, Locomotive, Mailbox, Toolbox and etc.  
Key combination: More than 300key combination.



## SW2801

材质: 黄铜/不锈钢  
表面处理: 亮铬、亮镍、枪黑、珍珠铬等  
适用范围: 金属/非金属机箱、柜类、自动售货机、ATM机、售水机、售卡机等。  
附件需求: 螺母、锁片  
Material: Brass  
Surface treatment: Bright chrome plating, Bright nickel plating, Rifle color coating, pearl chrome plating and etc.  
Applicability: Metal or nonmetal cabinet, Public Telephones, Cash Register, Intelligent Terminals, Financial Terminals, Game  
Consoles, Strongbox, Advertising Box and etc.  
Accessories: Cam, nut.



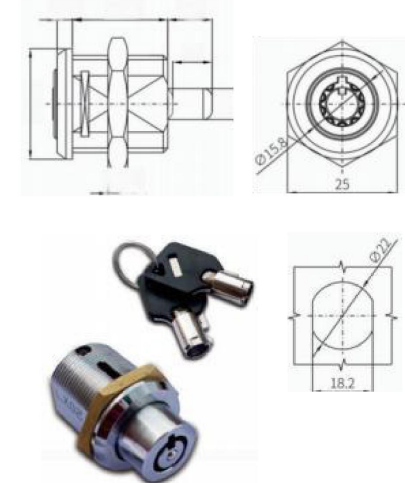
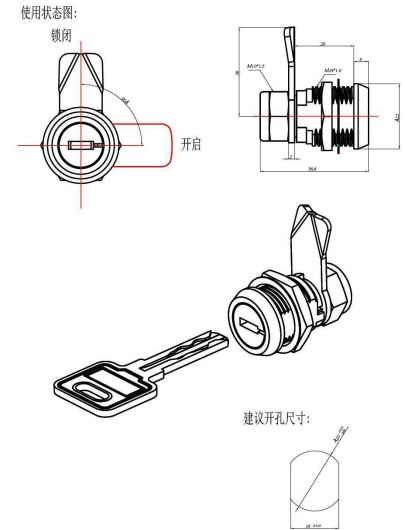
## SW-2802

材质: 黄铜/不锈钢  
表面处理: 亮铬、亮镍、枪黑、珍珠铬等  
适用范围: 金属/非金属机箱、柜类、自动售货机、ATM机、售水机、售卡机等。  
附件需求: 螺母、锁片  
Material: Brass  
Surface treatment: Bright chrome plating, Bright nickel plating, Rifle color coating, pearl chrome plating and etc.  
Applicability: Metal or nonmetal cabinet, Public Telephones, Cash Register, Intelligent Terminals, Financial Terminals, Game  
Consoles, Strongbox, Advertising Box and etc.  
Accessories: Cam, nut.



## SW6200

材质: 锌合金、铜、不锈钢  
表面处理: 亮铬、亮镍、枪黑、珍珠铬等  
适用范围: 智能终端、金融设备、机电设备、柜类、公用电话机、游戏机、地铁闸机、自动售货机、寄存柜、保险箱、广告箱、自动洗衣机、加油设备、机车、信箱和工具箱等。  
锁匙变化: 10000个以上  
功能说明: 按压锁, 尾杆直径7mm, 伸缩距离8mm, 长度可定制。可依客户要求订制子母锁系统。  
Material: Zinc-alloy, Brass, Stainless steel  
Surface Treatment: Bright chrome plating, Bright nickel plating, Rifle color coating, Pearl chrome plating and etc.  
Applicability: Intelligent terminal, Financial equipment, Electromechanical equipment, Metal or nonmetal cabinet, Pay phone, Game machine, Subway turnstiles, Vending Machine, Locker, Strongbox, Advertising showcase, Automatic washing machine, Fuel-servicing equipment, Locomotive, Mailbox, Toolbox and etc.  
Key combination: More than 10000key combination.  
Function: Compression lock, the diameter of end shaft is 7.0mm and telescopic distance is 8.0mm, the length of end shaft could be customized. Customized Master Key System is available.



转舌锁 Cam Lock	大锁筒 Standard Lock	连杆锁 Connecting Rod	扣手锁 Handle Lock	电锁筒 Computer Lock	智能锁 Smart Lock	立筒锁 Flat Lock	自动售货机锁 Vending Machine Lock	房态锁 Room Lock	挂锁筒 Hanging Lock	按键 Keypad	枪王 Handle	配件 Attachment
-----------------	----------------------	-----------------------	--------------------	----------------------	-------------------	------------------	--------------------------------	------------------	---------------------	--------------	--------------	------------------