

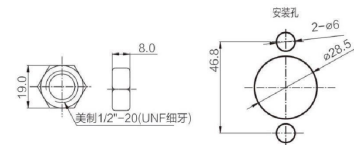
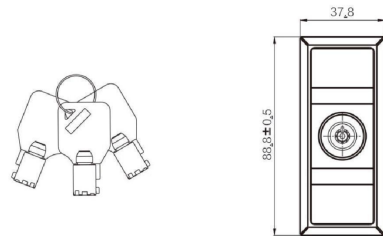
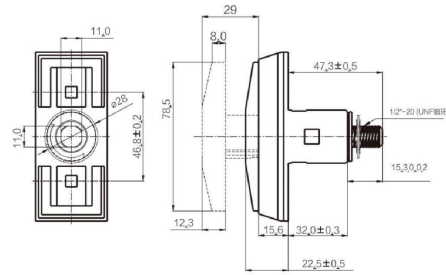
自动售货机锁系列  
VENDING MACHINE LOCK

---

Gaavin 嘉音

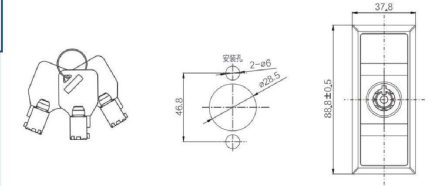
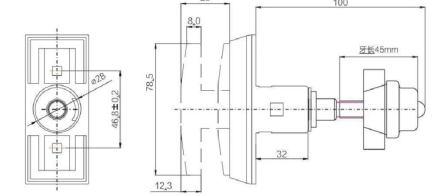
## SW1303

材质: 锌合金/不锈钢  
表面处理: 亮铬、亮镍、枪黑、珍珠铬等  
适用范围: 金属/非金属机箱、柜类、自动售货机、ATM机、售水机、售卡机等  
锁匙变化: 10000个以上  
附件需求: 螺母、内齿垫圈  
功能说明: 可依客户需求定制子母锁系统  
Material: Zinc-alloy, Stainless steel  
Surface treatment: Bright chrome plating, Bright nickle plating, Rifle color coating, pearl chrome plating and etc.  
Applicability: Metal or nonmetal cabinet, Vending Machine, ATM, Automatic Water Dispenser and etc.  
Key combination: More than 10,000 key combination.  
Accessories: Cam, washer.  
Function: Customized Master Key System is available.



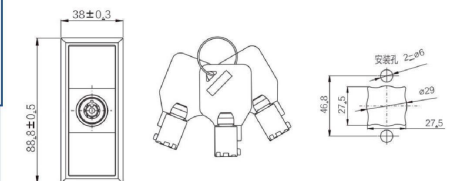
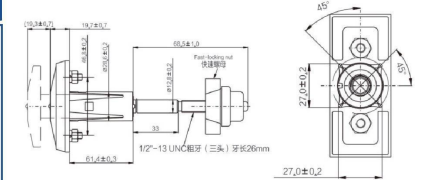
## SW1303-2

材质: 锌合金/不锈钢  
表面处理: 亮铬、亮镍、枪黑、珍珠铬等  
适用范围: 金属/非金属机箱、柜类、自动售货机、ATM机售水机、售卡机等  
锁匙变化: 10000个以上  
附件需求: 快速螺母  
功能说明: 可依客户需求定制子母锁系统  
Material: Zinc-alloy, Stainless steel  
Surface treatment: Bright chrome plating, Bright nickle plating, Rifle color coating, pearl chrome plating and etc.  
Applicability: Metal or nonmetal cabinet, Vending Machine, ATM, Automatic Water Dispenser and etc.  
Key combination: More than 10,000 key combination.  
Accessories: Fast-locking nut.  
Function: Customized Master Key System is available.



## SW1304

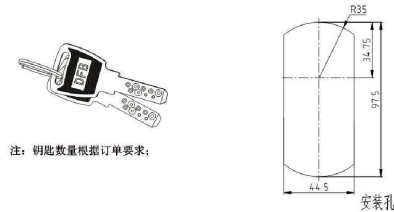
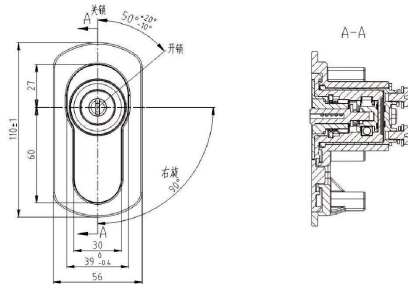
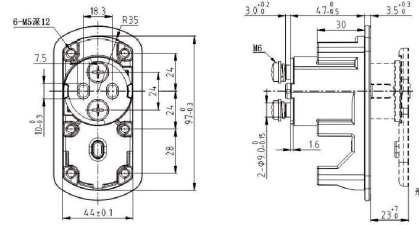
材质: 锌合金/不锈钢  
表面处理: 亮铬、亮镍、枪黑、珍珠铬等  
适用范围: 金属/非金属机箱、柜类、自动售货机、ATM机、售水机、售卡机等  
锁匙变化: 10000个以上  
附件需求: 快速螺母  
功能说明: 可依客户需求定制子母锁系统  
Material: Zinc-alloy, Stainless steel  
Surface treatment: Bright chrome plating, Bright nickle plating, Rifle color coating, pearl chrome plating and etc.  
Applicability: Metal or nonmetal cabinet, Vending Machine, ATM, Automatic Water Dispenser and etc.  
Key combination: More than 10000 key combination.  
Accessories: Fast-locking nut.  
Function: Customized Master Key System is available.



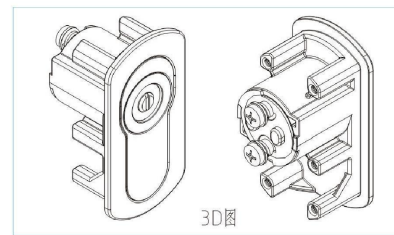
子母锁 Master Key System
不锈钢 Stainless Steel
连杆锁 Connecting Rod
扣手锁 Handle Lock
电锁锁 Computer Lock
智能锁 Smart Lock
防盗锁 Anti-theft Lock
自动售货机锁 Vending Machine Lock
房本锁 Room Lock
挂杆锁 Hanging Rod Lock
快锁 Fast Lock
扣手 Handle
配件 Accessories

## SW1310-1

材质: 锌合金  
表面处理: 黑漆、亮铬、珍珠铬、电泳漆等  
适用范围: 自动售货机、寄存柜、保险箱、广告箱、自动洗衣机、加油设备、智能终端、金融设备、机电设备、柜类、公用电话机、游戏机、地铁闸机、机车等。  
锁匙变化: 260, 000个以上  
Material: Zinc-alloy  
Surface treatment: Bright chrome plating, Bright nickel plating, Black painting coated, Black electrophoresis coating, Pearl chrome plating and etc.  
Applicability: Vending Machine, Lockers, Safes, Advertising Boxes, Automatic Washing Machines, Refueling Equipment, Intelligent Terminals, Financial Equipment, Mechanical and Electrical Equipment, Cabinets, Public Telephone, Game Consoles, Subway Gates, Locomotives and etc.  
Key combination: More than 260, 000 key combination.



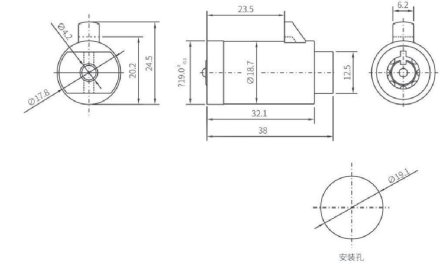
注: 钥匙数量根据订单要求;



3D图

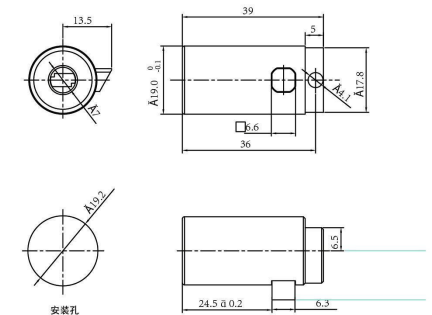
## SW6201

材质: 锌合金、铜、不锈钢  
表面处理: 亮铬、亮镍、枪黑、珍珠铬等  
适用范围: 自动售货机、机车、汽车、金属/非金属机箱机柜等  
锁匙变化: 10000个以上(可做成七颗弹珠或十颗弹珠)  
其它说明: 锁芯防钻钢珠  
功能说明: 可依客户要求定制子母锁系统  
Material: Zinc-alloy, Brass, Stainless steel.  
Surface treatment: Bright chrome plating, Bright nickel plating, Rifle color coating, pearl chrome plating and etc.  
Applicability: Vending Machine, Engine, Automobile, Metal or nonmetal cabinet and etc.  
Key combination: More than 10, 000 key combination (7 pin)



## SW6206

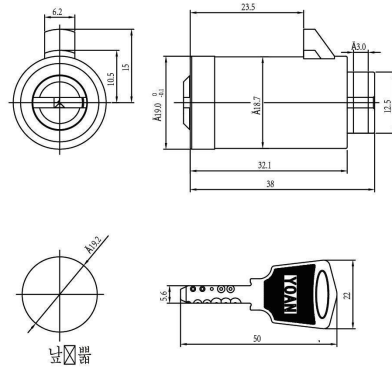
材质: 铜、不锈钢  
表面处理: 亮铬、亮镍、枪黑、珍珠铬等  
适用范围: 智能终端、金融设备、机电设备、柜类、公用电话机、游戏机、地铁闸机、自动售货机、寄存柜、保险箱、广告箱、自动洗衣机、加油设备、机车、信箱和工具箱等锁匙变化: 390000个以上  
Material: Brass, Stainless steel  
Surface Treatment: Bright chrome plating, Bright nickel plating, Rifle color coating, Pearl chrome plating and etc.  
Applicability: Intelligent terminal, Financial equipment, Electromechanical equipment, Metal or nonmetal cabinet, Pay phone, Game machine, Subway turnstiles, Vending Machine, Locker, Strongbox, Advertising showcase, Automatic washing machine, Fuel-servicing equipment, Locomotive, Mailbox, Toolbox and etc.  
Key combination: More than 390, 000 key combination.



柜类锁 Cabinet Lock	大锁型 Standard Lock	连杆锁 Connecting Rod	柜类锁 Hardware Lock	电脑锁 Computer Lock	智能锁 Smart Lock	平面锁 Flat Lock	自动售货机锁 Vending Machine Lock	房类锁 Room Lock	挂杆锁 Hanging Lock	挂锁 Padlock	枪击 Intruder	配件 Attachment
---------------------	----------------------	-----------------------	----------------------	----------------------	-------------------	------------------	--------------------------------	------------------	---------------------	---------------	----------------	------------------

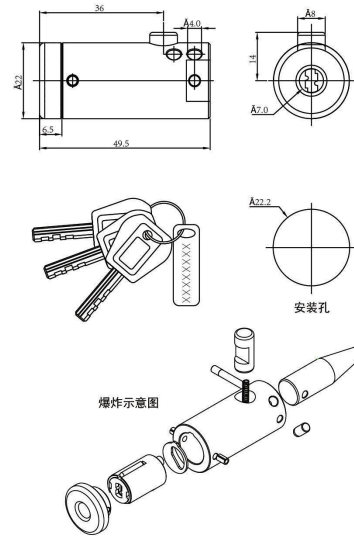
## SW6207

材质: 铜、不锈钢  
表面处理: 亮铬、亮镍、枪黑、珍珠铬等  
适用范围: 智能终端、金融设备、机电设备、柜类、公用电话机、游戏机、地铁闸机、自动售货机、寄存柜、保险箱、广告箱、自动洗衣机、加油设备、机车、信箱和工具箱等  
锁匙变化: 170000个以上  
Material: Brass, Stainless steel  
Surface Treatment: Bright chrome plating, Bright nickel plating, Rifle color coating, Pearl chrome plating and etc.  
Applicability: Intelligent terminal, Financial equipment, Electromechanical equipment, Metal or nonmetal cabinet, Pay phone, Game machine, Subway turnstiles, Vending Machine, Locker, Strongbox, Advertising showcase, Automatic washing machine, Fuel-servicing equipment, Locomotive, Mailbox, Toolbox and etc.  
Key combination: More than 170,000 key combination.



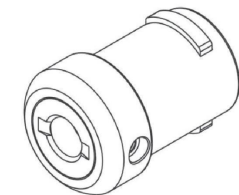
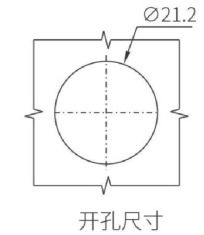
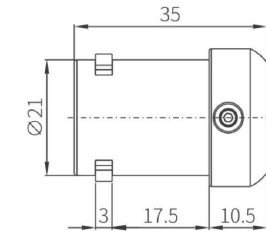
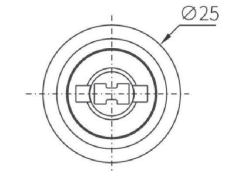
## SW6208

材质: 铜、不锈钢  
表面处理: 亮铬、亮镍、枪黑、珍珠铬等  
适用范围: 智能终端、金融设备、机电设备、柜类、公用电话机、游戏机、地铁闸机、自动售货机、寄存柜、保险箱、广告箱、自动洗衣机、加油设备、机车、信箱和工具箱等  
锁匙变化: 390000个以上  
Material: Brass, Stainless steel  
Surface Treatment: Bright chrome plating, Bright nickel plating, Rifle color coating, Pearl chrome plating and etc.  
Applicability: Intelligent terminal, Financial equipment, Electromechanical equipment, Metal or nonmetal cabinet, Pay phone, Game machine, Subway turnstiles, Vending Machine, Locker, Strongbox, Advertising showcase, Automatic washing machine, Fuel-servicing equipment, Locomotive, Mailbox, Toolbox and etc.  
Key combination: More than 390,000 key combination.



## SW6209

材质: 铜、不锈钢  
表面处理: 亮铬、亮镍、枪黑、珍珠铬等  
适用范围: 智能终端、金融设备、机电设备、柜类、公用电话机、游戏机、地铁闸机、自动售货机、寄存柜、保险箱、广告箱、自动洗衣机、加油设备、机车、信箱和工具箱等  
锁匙变化: 390000个以上  
Material: Brass, Stainless steel  
Surface Treatment: Bright chrome plating, Bright nickel plating, Rifle color coating, Pearl chrome plating and etc.  
Applicability: Intelligent terminal, Financial equipment, Electromechanical equipment, Metal or nonmetal cabinet, Pay phone, Game machine, Subway turnstiles, Vending Machine, Locker, Strongbox, Advertising showcase, Automatic washing machine, Fuel-servicing equipment, Locomotive, Mailbox, Toolbox and etc.  
Key combination: More than 390,000 key combination.



柜类锁 Cabinet Lock	不锈钢 Stainless Steel	连接轴 Connecting Pin	柜类锁 Cabinet Lock	电锁 Electric Lock	智能锁 Smart Lock	平面锁 Flat Lock	自动售货机锁 Vending Machine Lock	房类锁 Room Lock	挂锁 Padlock	转锁 Turn Lock	柜类 Cabinet	配件 Accessories
---------------------	------------------------	-----------------------	---------------------	---------------------	-------------------	------------------	--------------------------------	------------------	---------------	-----------------	---------------	-------------------